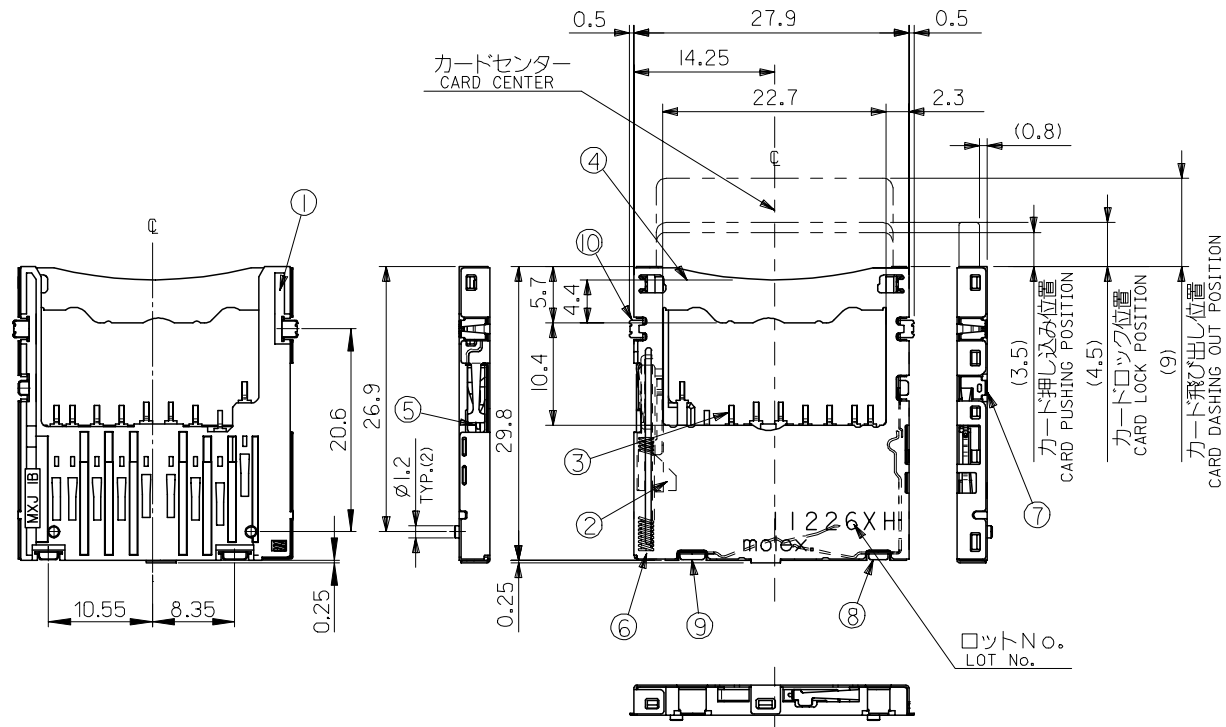
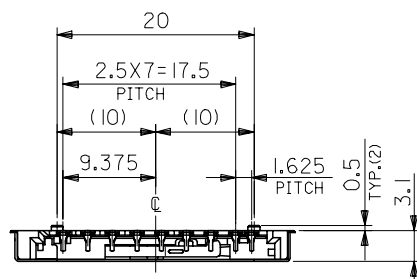


10 9 8 7 6 5 4 3 2 1

F  
E  
D  
C  
B  
A



NO.	NAME	QTY	MATERIAL
①	ハウジング HOUSING	1	耐熱樹脂, UL94V-0 色:黒 HEAT RESISTANCE POLYMER, UL94V-0, BLACK
②	スライダーカム SLIDER CAM	1	耐熱樹脂, UL94V-0 色:黒 HEAT RESISTANCE POLYMER, UL94V-0, BLACK
③	ターミナル TERMINAL	9	銅合金, 接点部:金メッキ COPPER ALLOY, SELECTIVE Au PLATING
④	メタルカバー METAL COVER	1	ステンレス鋼 STAINLESS STEEL
⑤	ピン PIN	1	ステンレス鋼 STAINLESS STEEL
⑥	スプリング SPRING	2	ピアノ線 SWP
⑦	プロテクトターミナル PROTECT TERMINAL	1	銅合金, 接点部:金メッキ COPPER ALLOY, SELECTIVE Au PLATING
⑧	プロテクト& ディテクトターミナル PROTECT AND DETECT TERMINAL	1	銅合金, 接点部:金メッキ COPPER ALLOY, SELECTIVE Au PLATING
⑨	ディテクトターミナル DETECT TERMINAL	1	銅合金, 接点部:金メッキ COPPER ALLOY, SELECTIVE Au PLATING
⑩	ネール NAIL	2	銅合金, 錫メッキ COPPER ALLOY, TIN PLATING

NOTES

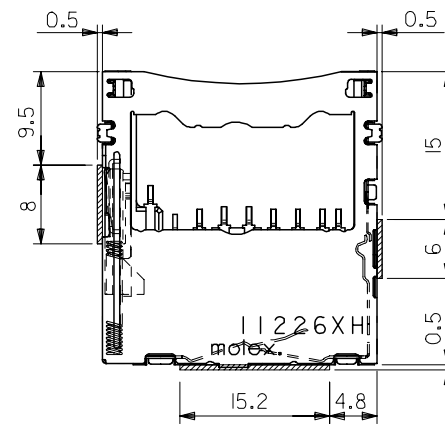
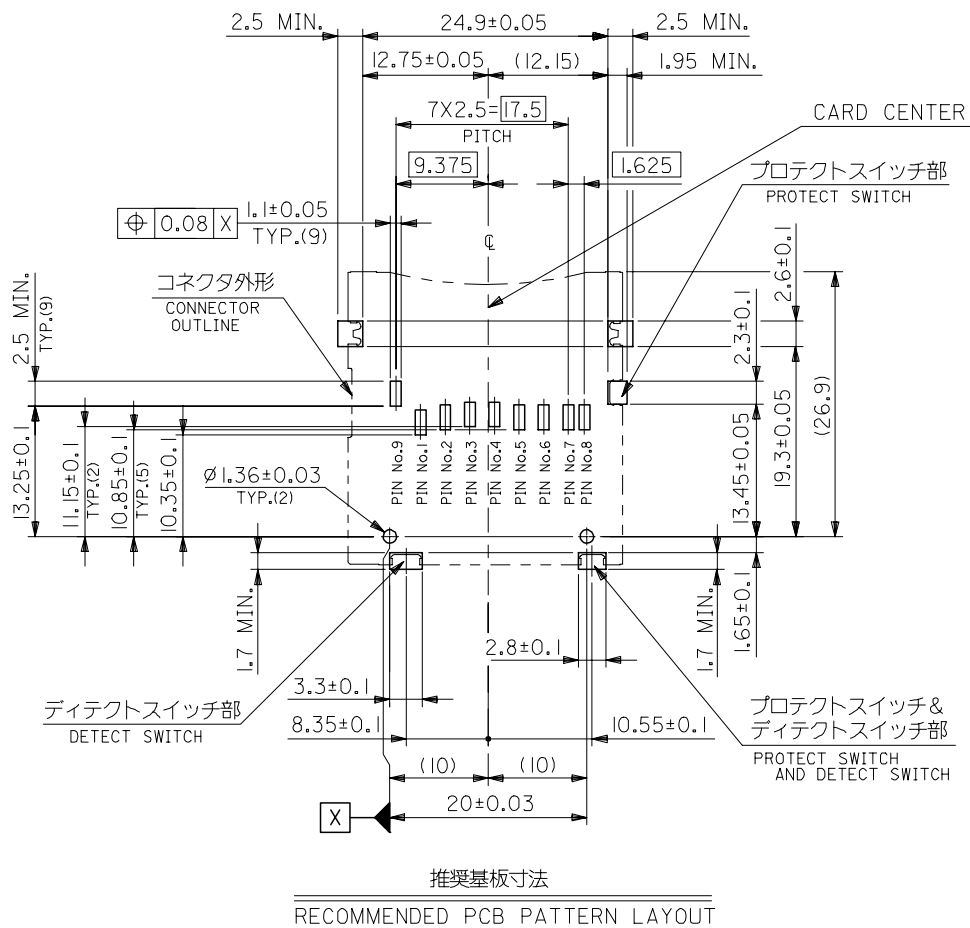
- ターミナル及びネール平坦度は 0.1 MAX.  
TERMINAL AND NAIL COPLANARITY TO BE 0.1 MAX.
- 各スイッチのオープン/クローズ  
OPENING/CLOSE OF EACH SWITCH

	プロテクトターミナル PROTECT TERMINAL	ディテクトターミナル DETECT TERMINAL	
	カード書き込み 禁止状態 WRITE PROTECT POSITION	カード書き込み 可能状態 WRITE ENABLE POSITION	
カード未装着状態 CARD UNINSERTION	オープン OPEN	オープン OPEN	オープン OPEN
カード装着過程 CARD HALF INSERTION	クローズ CLOSE	クローズ CLOSE	オープン OPEN
カード装着 CARD INSERTION	オープン OPEN	クローズ CLOSE	クローズ CLOSE

3. 納入時、プッシュ機構はアンロック状態。(カード飛び出し位置)  
WHEN DELIVERING, THE PUSH/PUSH MECHANISM IS IN THE STATE  
OF THE UNLOCK. (CARD DASHING OUT POSITION)

500998-0900	500998-0909
エンボス梱包品 EMBOSSED TEPE PACKAGE	製品番号 (トレイ梱包品) MATERIAL NO. (TRAY PACKAGE)
MODEL NO.: 500998-****	

REVISED EC NO: J2007-1866 DRWN: NABEI 2007/01/17 CHKD: KTOYODA 2007/01/25 APPR: NUKITA 2007/01/25 DESCRIPTION REV	GENERAL TOLERANCES (UNLESS SPECIFIED)		DIMENSION STYLE MM ONLY		SCALE 2:1	DESIGN UNITS METRIC	THIRD ANGLE PROJECTION
	10 UNDER	±0.2	DRAWN BY YSUGIURA	DATE 2004/12/07	TITLE SD CARD CONN. ASS'Y (NOMAL TYPE) -LEAD FREE-		
	10 OVER 30 UNDER	±0.25	CHECKED BY MTANAKA	DATE 2004/12/07	MOLEX INCORPORATED		
	30 OVER	±0.3	APPROVED BY NUKITA	DATE 2004/12/07	MATERIAL NO. SEE CHART	DOCUMENT NO. SD-500998-001	SHEET NO. 1 OF 2
	ANGULAR	±3 °	THIS DRAWING CONTAINS INFORMATION THAT IS PROPRIETARY TO MOLEX INCORPORATED AND SHOULD NOT BE USED WITHOUT WRITTEN PERMISSION				
DRAFT WHERE APPLICABLE MUST REMAIN WITHIN DIMENSIONS							



部品実装禁止エリア  
AREA OF PARTS MOUNTING PROHIBITION

推奨基板寸法  
RECOMMENDED PCB PATTERN LAYOUT

REVISED EC NO: J2007-1866 DRW: MNABEI 2007/01/17 CHK: KYOYODA 2007/01/25 APPR: NUKITA 2007/01/25 C REV	GENERAL TOLERANCES (UNLESS SPECIFIED)		DIMENSION STYLE MM ONLY		SCALE 2:1	DESIGN UNITS METRIC	THIRD ANGLE PROJECTION
	10 UNDER	±0.2	DRAWN BY YSUGIURA	DATE 2004/12/07	TITLE SD CARD CONN. ASS'Y (NOMAL TYPE) - LEAD FREE -		
	10 <sup>0</sup> OVER 30 UNDER	±0.25	CHECKED BY MTANAKA	DATE 2004/12/07	MOLEX INCORPORATED		
	30 OVER	±0.3	APPROVED BY NUKITA	DATE 2004/12/07	DOCUMENT NO. SD-500998-001		
	ANGULAR	±3 °	MATERIAL NO.		SHEET NO. 2 OF 2		
DRAFT WHERE APPLICABLE MUST REMAIN WITHIN DIMENSIONS		SEE SHEET 1 OF 2		THIS DRAWING CONTAINS INFORMATION THAT IS PROPRIETARY TO MOLEX INCORPORATED AND SHOULD NOT BE USED WITHOUT WRITTEN PERMISSION			

10 9 8 7 6 5 4 3 2 1

F

E

D

C

B

A

F

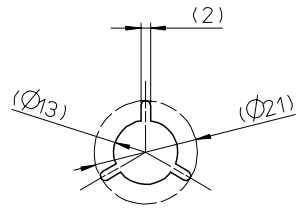
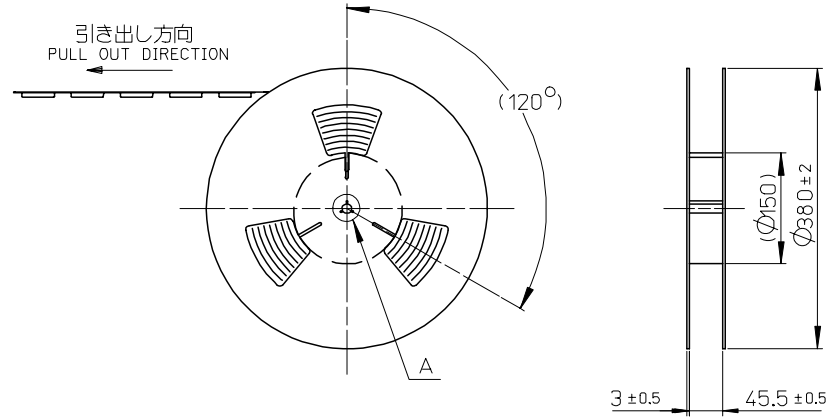
E

D

C

B

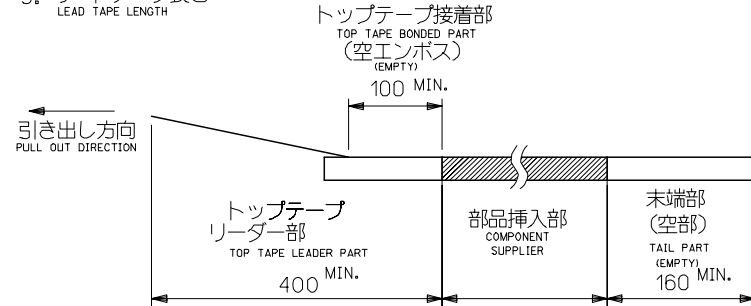
A



DETAIL A  
SCALE 1:1

注)  
NOTES

- 製品番号 500998-0909 の詳細寸法については、SD 図面を参照下さい。  
IN THE PACKAGE, PART NO. 500998-0909 DETAILED DIMENSIONS, SEE SALES DRAWING.
- 梱包数量 : 400 個/リール  
NUMBER OF CONNECTORS : 400 PCS/REEL
- リードテープ長さ  
LEAD TAPE LENGTH



4. 材料

MATERIAL

キャリアテープ : ポリプロピレン (PP)  
CARRIER TAPE : POLYPROPYLENE (PP)  
トップテープ : PET, PE, PEF  
TOP TAPE : PET, PE, PEF  
リール : 紙/プラスチック  
REEL : CARD BOARD/PLASTIC

500998-0900 500998-\*\*\*\*  
MATERIAL No. MODEL No.

REVISED EC NO: J2006-3331 DRWN: TAKEMOTO 2006/04/25 CHKD: TANAKA 2006/04/26 APPR: NUKITA 2006/05/01	GENERAL TOLERANCES (UNLESS SPECIFIED)		DIMENSION STYLE MM ONLY		SCALE ---	DESIGN UNITS METRIC	THIRD ANGLE PROJECTION	
	10 UNDER	± 0.2	DRAWN BY YSUGIURA	DATE 2004/12/10	TITLE EMBOSS TAPE PACKAGE FOR 500998-0909 - LEAD FREE -			
	10 OVER 30 UNDER	± 0.25	CHECKED BY MTANAKA	DATE 2004/12/10	APPROVED BY NUKITA 2004/12/10			
	30 OVER	± 0.3	APPROVED BY NUKITA 2004/12/10		MATERIAL NO. SEE CHART			
	ANGULAR ± 3 °	DRAFT WHERE APPLICABLE MUST REMAIN WITHIN DIMENSIONS		DOCUMENT NO. SD-500998-007		SHEET NO. 1 OF 2		
		SIZE A3 THIS DRAWING CONTAINS INFORMATION THAT IS PROPRIETARY TO MOLEX INCORPORATED AND SHOULD NOT BE USED WITHOUT WRITTEN PERMISSION						

9

8

7

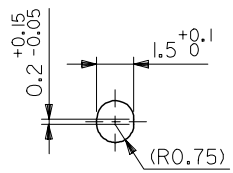
6

5

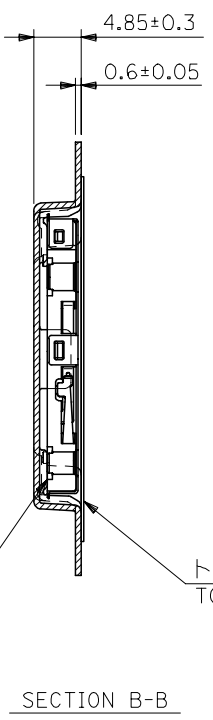
4

3

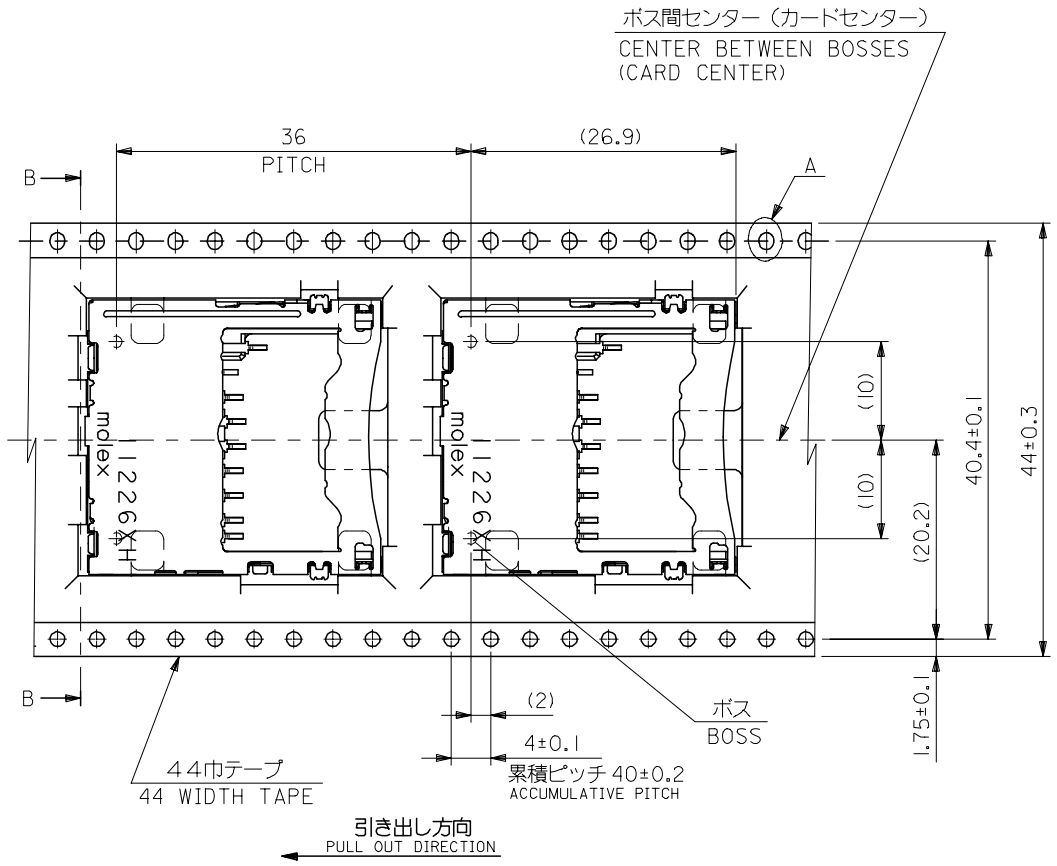
2



DETAIL A  
(5-1)



SECTION B-B



REVISED EC NO: J2006-3331 DRW:MTAKEMOTO 2006/04/25 CHKD:MTANAKA 2006/04/26 APPR:NUKITA 2006/05/01	GENERAL TOLERANCES (UNLESS SPECIFIED)		DIMENSION STYLE MM ONLY	SCALE ---	DESIGN UNITS METRIC	THIRD ANGLE PROJECTION
	10 UNDER	±0.2	DRAWN BY YSUGIURA	DATE 2004/12/10	TITLE EMBOSS TAPE PACKAGE FOR 500998-0909 - LEAD FREE -	
	10 OVER 30 UNDER	±0.25	CHECKED BY MTANAKA	DATE 2004/12/10	MOLEX INCORPORATED	
	30 OVER	±0.3	APPROVED BY NUKITA	DATE 2004/12/10	DOCUMENT NO. SD-500998-007	
	ANGULAR	±3 °	MATERIAL NO.		SHEET NO. 2 OF 2	
DRAFT WHERE APPLICABLE MUST REMAIN WITHIN DIMENSIONS		SEE SHEET 1 OF 2		THIS DRAWING CONTAINS INFORMATION THAT IS PROPRIETARY TO MOLEX INCORPORATED AND SHOULD NOT BE USED WITHOUT WRITTEN PERMISSION		